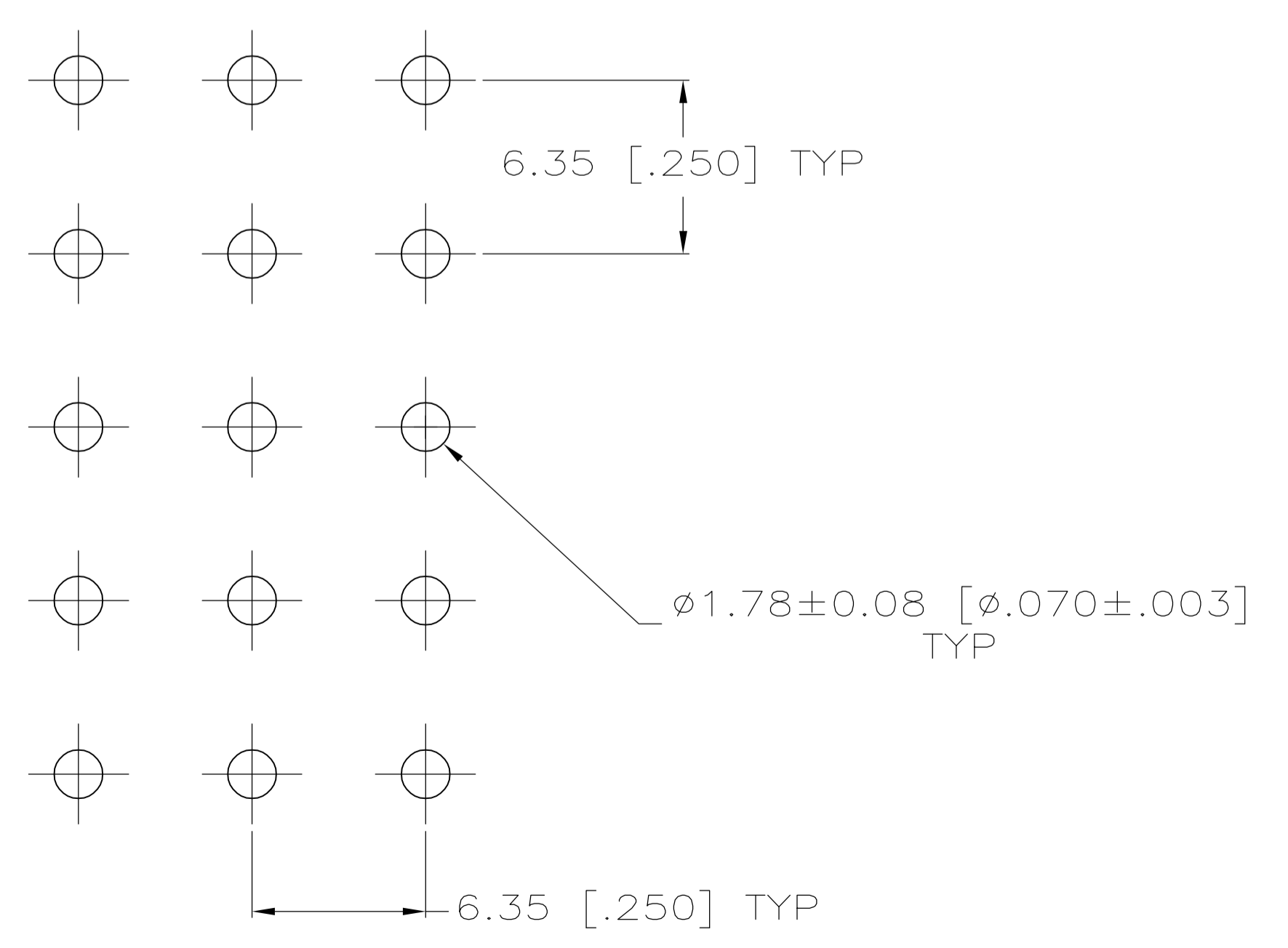
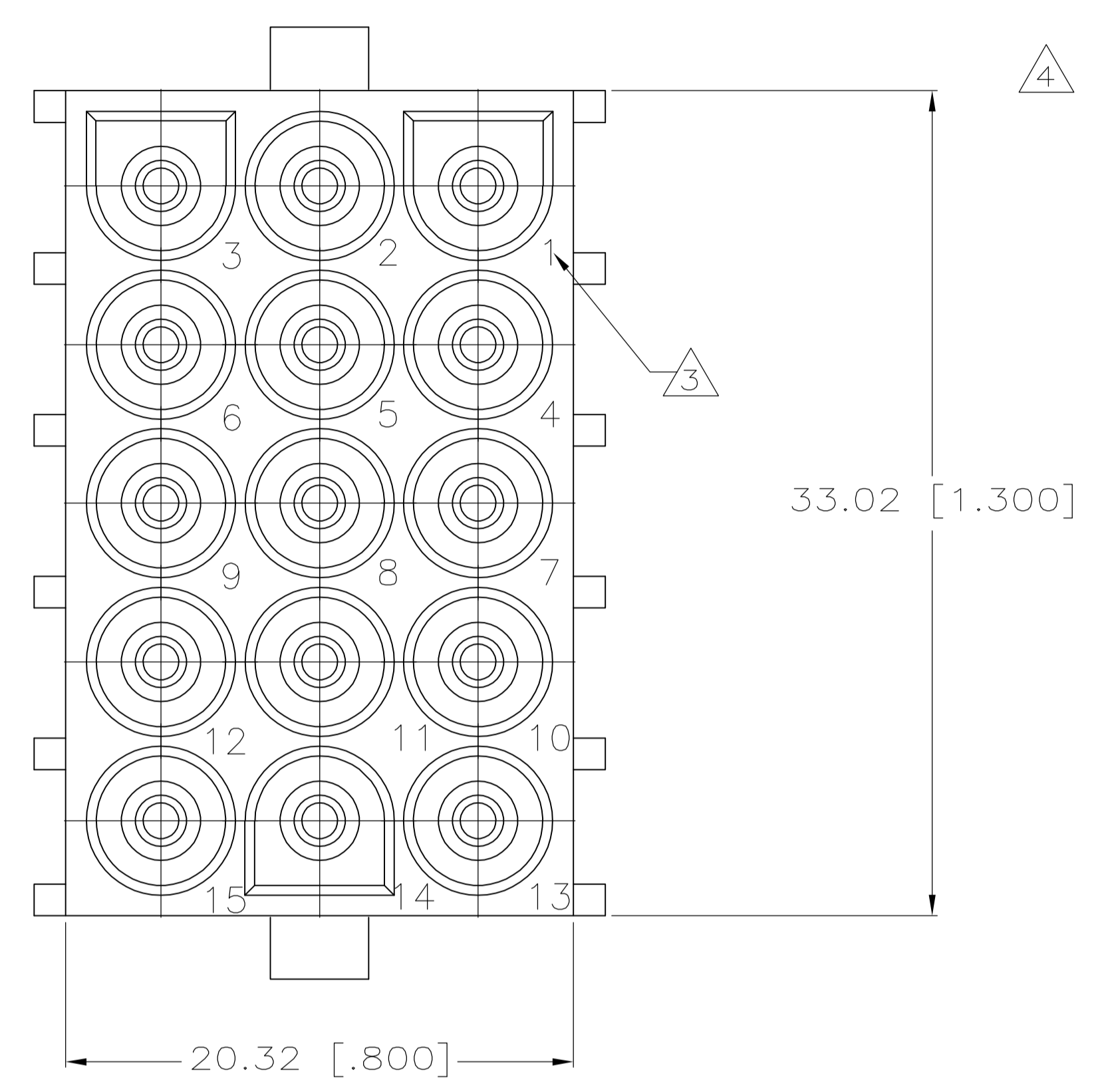
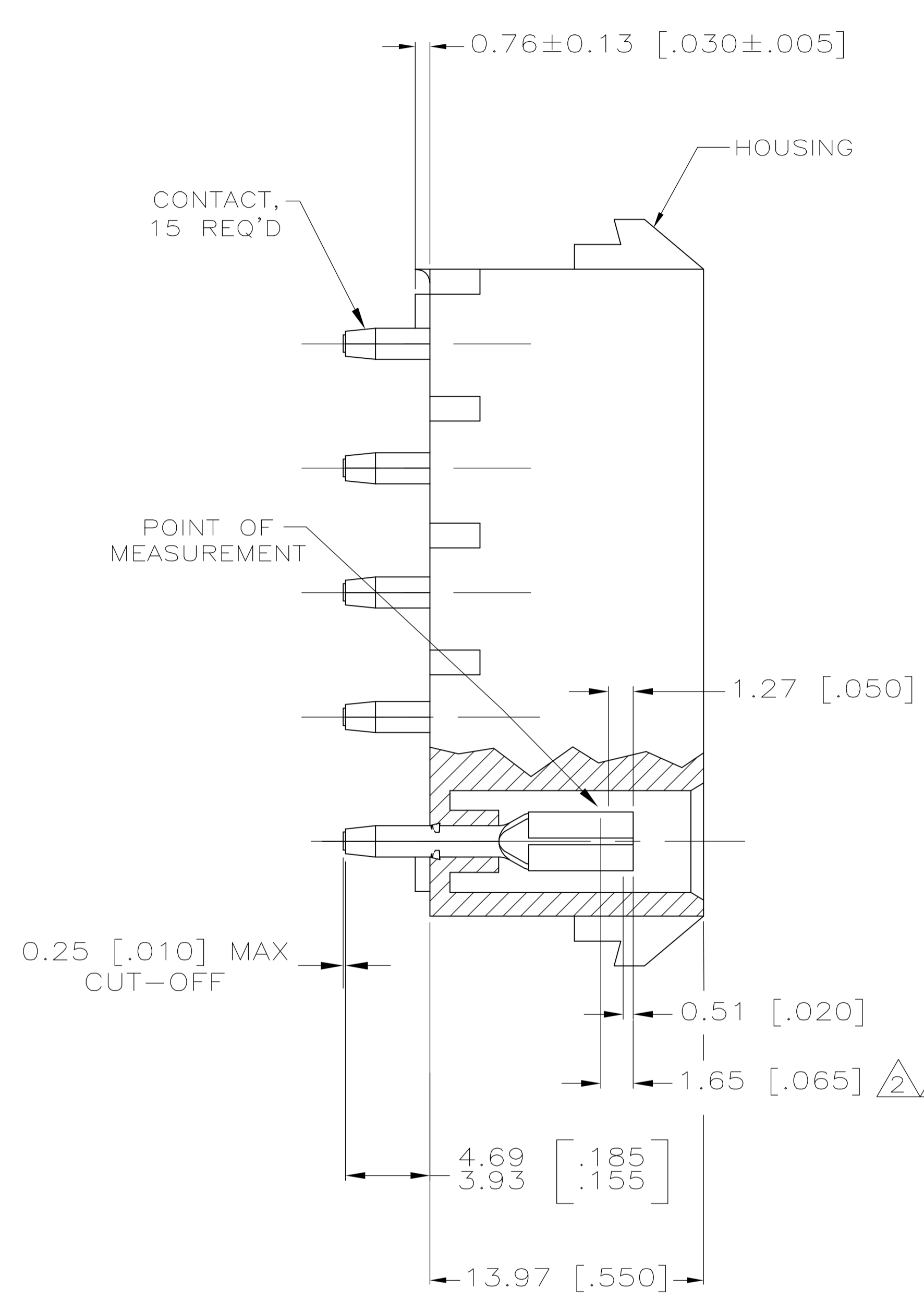
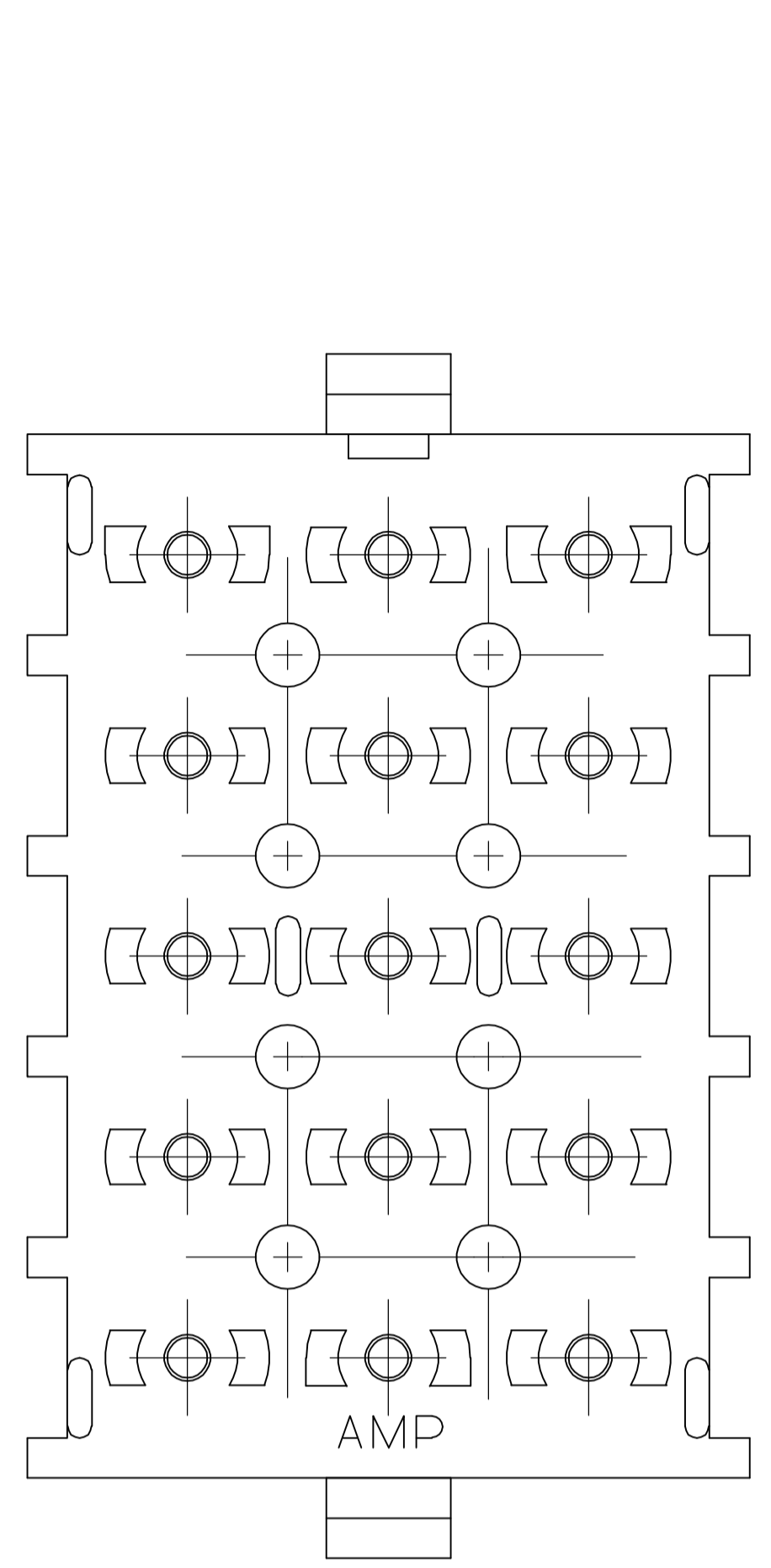


| LOC         |    | DIST |         | REVISIONS                |     |       |     |
|-------------|----|------|---------|--------------------------|-----|-------|-----|
| CM          | 00 | REV  | DATE    | BY                       | CHK | APP'D | REV |
|             |    | R    | 11OCT05 | KW                       | SR  |       |     |
| DESCRIPTION |    |      |         | REVISED PER DG38-1100-04 |     |       |     |



RECOMMENDED LAYOUT FOR 1.58 [.062] THICK PC BOARD

1. PARTS MUST COMPLY WITH AMP SOLDERABILITY SPEC 109-11-3.
2. CONTACT IS STAMPED FROM PRE-PLATED STOCK WHICH IS PLATED OVERALL WITH 0.00127 [.000050] NICKEL, THEN STRIPED WITH 0.00076 [.000030] GOLD IN CONTACT AREA INDICATED AND TIN-LEAD ON SOLDER TAIL END.
3. CIRCUIT IDENTIFICATION CHARACTERS ARE ADJACENT TO THE INDICATED CAVITIES, BUT LOCATION AND ORIENTATION MAY DIFFER FROM PRINT.
4. CONTACT IS PLATED OVERALL WITH 0.00127 [.000050] NICKEL, THEN 0.00076 [.000030] GOLD OVER CONTACT LENGTH INDICATED AND MATTE TIN ON SOLDER TAIL END.

|               |                |          |
|---------------|----------------|----------|
| PH BRZ GOLD 4 | NYLON, NATURAL | 350765-5 |
| PH BRZ TIN    | NYLON, NATURAL | 350765-4 |
| PH BRZ GOLD 2 | NYLON, NATURAL | 350765-3 |
| CONTACT       | HOUSING        | PART NO  |

THIS DRAWING IS A CONTROLLED DOCUMENT.

|                         |  |                            |                            |                            |                  |   |
|-------------------------|--|----------------------------|----------------------------|----------------------------|------------------|---|
| DIMENSIONS: mm (INCHES) | TOLERANCES UNLESS OTHERWISE SPECIFIED: | OWN: K. WHITAKER 11OCT2005 | APVD: S. RIDGILL 11OCT2005 | NAME: S. RIDGILL 11OCT2005 | TYCO Electronics | Tyco Electronics Corporation<br>Harrisburg, PA 17105-3608 |
| 0 PLC ±                 | 1 PLC ±                                | 2 PLC ±                    | 3 PLC ± 0.13 [.005]        | 4 PLC ±                    | APPLICATION SPEC | SIZE: A1  |
| MATERIAL: SEE TABLE     |  |                            | WEIGHT: 00779              |                            | SCALE: 5:1       | RESTRICTED TO: CUSTOMER DRAWING                           |
| SEE TABLE               |  |                            | SEE TABLE                  |                            | SCALE: 5:1       | SHEET 1 OF 1 REV R  |

